

TECHNOLOGY TOWARD HUMAN

 irova



*Professionals, Leading innovation*



## Support Service Robot for **Sanitation Worker**

Capable of loading large-capacity garbage bags or gunny sacks and storing cleaning supplies. The easy and convenient lid opening and closing method reduces the effort of cleaning work.

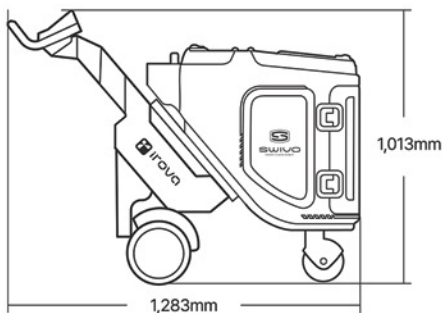
#208, 19700 S. Vermont Avenue, Suite 200, Torrance, CA 90502  
E-mail : [irova@irova.kr](mailto:irova@irova.kr)

## Concept view

For Sanitation Worker



## Scale



## Information

Size

596mm X 1,283mm X 1,013mm

Weight

50kg (110lb)

Main battery

48V 20Ah

Motor

Dual BLDC 350W

Accessories

Tablet device, Black Box, Loadbox (order Made)



## Support Service Robot for **Agriculture**

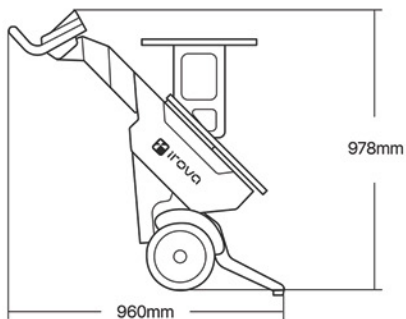
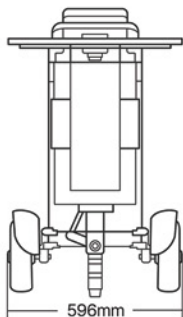
A loading tray is attached for smooth transportation of crops and fertilizers, reducing work intensity and increasing the efficiency of agricultural labor.

## Concept view

For Agriculture



## Scale



## Information

Size

596mm X 960mm X 978mm

Main battery

48V 20Ah

Accessories

Tablet device, Black Box, tray plate (order Made)

Weight

50kg (110lb)

Motor

Dual BLDC 350W



## *Delivery service robot for **Passengers***

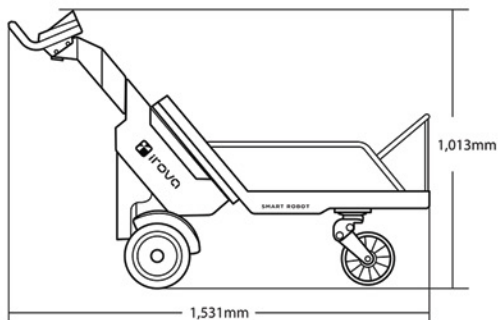
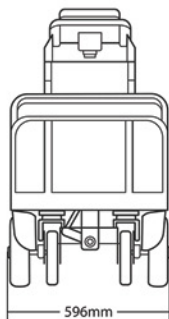
Passengers can simply transport their luggage at airports, train stations. It improves the quality of travel by reducing fatigue of travel.

## Concept view

For Passengers



## Scale



## Information

Size

596mm X 1,531mm X 1,013mm

Main battery

48V 20Ah

Accessories

Tablet device, Black Box, Load cart (order Made)

Weight

50kg (110lb)

Motor

Dual BLDC 350W



## Support Service Robot for **Industrial Site**

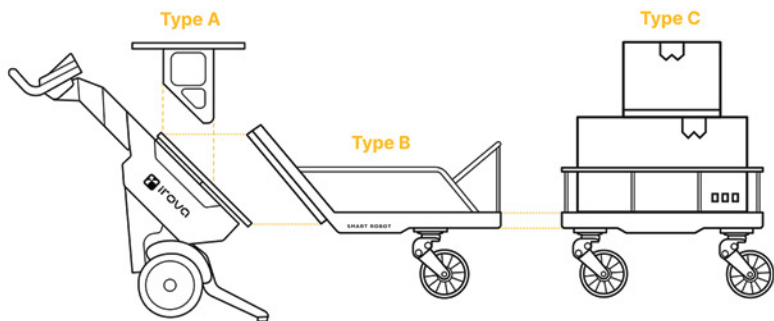
It enhances work quality and reduces worker fatigue as it takes over the task of transporting supplies and tools at various industrial.



## Future development concept



## Selection Options



## Information

Size	596mm X 960mm X 978mm	Weight	50kg (110lb)
Main battery	48V 20Ah	Motor	Dual BLDC 350W
Accessories	Tablet device, Black Box, Load cart Type A, B, C (order Made)		



**IROVA Inc.**

**Address** 555, Dalseo-daero, Dalseo-gu, Daegu, Republic of Korea  
#208, 19700 S. Vermont Avenue, Suite 200, Torrance, CA 90502

**E-mail** [irova@irova.kr](mailto:irova@irova.kr) **Web** [www.irova.kr](http://www.irova.kr)

**TEL** +82-70-8721-7700